

AS120-41SN ✓ ACTIVE

DEUTSCH | DEUTSCH AS Standard

TE Internal #: AS120-41SN

Standard Circular Connectors, Wire-to-Wire, 41 Position, Sealable, Black Zinc, Aluminum Alloy, N Polarization Code, DEUTSCH AS Standard

[View on TE.com >](#)



Connectors > Circular Connectors > Standard Circular Connectors



Connector System: **Wire-to-Wire**

Number of Positions: **41**

Sealable: **Yes**

Shell Plating Material: **Black Zinc**

Shell Base Material: **Aluminum Alloy**

Features

Product Type Features

Product Type	Connector Assembly
Assembly Type	Electrical Connector
Connector System	Wire-to-Wire
Sealable	Yes
Circular Connector Type	Receptacle
Shell Type	Metal

Configuration Features

Factory Installed Backshell	No
Keying	Keyway Polarization N
Number of Positions	41
Contacts Preloaded	No

Body Features

Environmental Protection	With
Feedthrough Type	No
Environmental Protection Type	Sealed
Entry Style	Rear Insertion
Shell Plating Material	Black Zinc

Shell Base Material	Aluminum Alloy
Circular Connector Insulation Material Type	Hard Dielectric/Silicone
Hermetically Sealed	No

Contact Features

Contact Quantity (Size 20)	41
Contact Layout Arrangement	20 – 41
Circular Connector Contact Type	Socket

Mechanical Attachment

Mating Retention Type	Bayonet Peg
Mating Alignment	With
Polarization Code	N
Mating Alignment Type	Keyed
Mating Retention	With

Housing Features

Circular Connector Shell Size	20
-------------------------------	----

Dimensions

Assembly Length	33.5 mm
Wire Size	20 AWG

Usage Conditions

Fluid Resistance	Immersible
IP Dust Sealing Level	6
IP Water Sealing Level	7
Operating Temperature Range	-55 – 175 °C

Operation/Application

Durability Rating	500 Cycles
-------------------	------------

Other

Field Serviceable	Yes
-------------------	-----

Product Compliance

[For compliance documentation, visit the product page on TE.com>](#)

EU RoHS Directive 2011/65/EU	Compliant with Exemptions
EU ELV Directive 2000/53/EC	Compliant with Exemptions

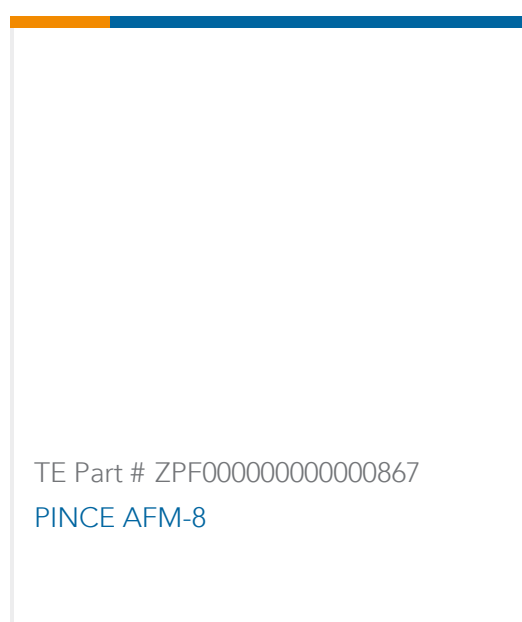


China RoHS 2 Directive MIIT Order No 32, 2016	Restricted Materials Above Threshold
EU REACH Regulation (EC) No. 1907/2006	Current ECHA Candidate List: JUNE 2023 (235) Candidate List Declared Against: JUN 2020 (209) SVHC > Threshold: Pb (1.2% in Contact) Article Safe Usage Statements: Do not eat, drink or smoke when using this product. Wash thoroughly after handling. Recycle if possible and dispose of the article by following all applicable governmental regulations relevant to your geographic location.
Halogen Content	Not Yet Reviewed for halogen content
Solder Process Capability	Reflow solder capable to 245°C

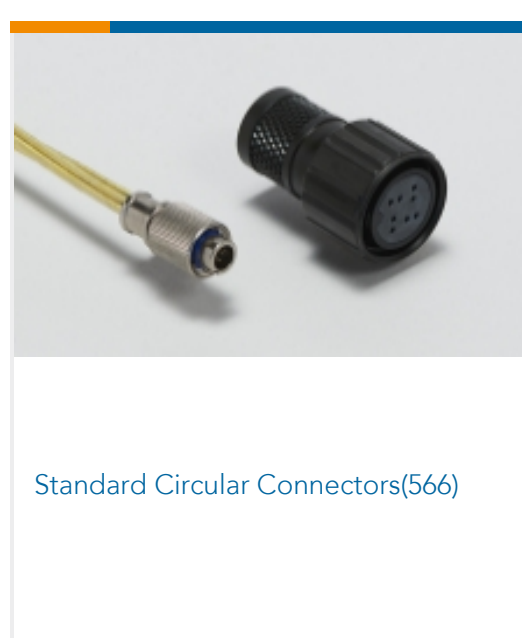
Product Compliance Disclaimer

This information is provided based on reasonable inquiry of our suppliers and represents our current actual knowledge based on the information they provided. This information is subject to change. The part numbers that TE has identified as EU RoHS compliant have a maximum concentration of 0.1% by weight in homogenous materials for lead, hexavalent chromium, mercury, PBB, PBDE, DBP, BBP, DEHP, DIBP, and 0.01% for cadmium, or qualify for an exemption to these limits as defined in the Annexes of Directive 2011/65/EU (RoHS2). Finished electrical and electronic equipment products will be CE marked as required by Directive 2011/65/EU. Components may not be CE marked. Additionally, the part numbers that TE has identified as EU ELV compliant have a maximum concentration of 0.1% by weight in homogenous materials for lead, hexavalent chromium, and mercury, and 0.01% for cadmium, or qualify for an exemption to these limits as defined in the Annexes of Directive 2000/53/EC (ELV). Regarding the REACH Regulation, the information TE provides on SVHC in articles for this part number is based on the latest European Chemicals Agency (ECHA) 'Guidance on requirements for substances in articles' posted at this URL: <https://echa.europa.eu/guidance-documents/guidance-on-reach>

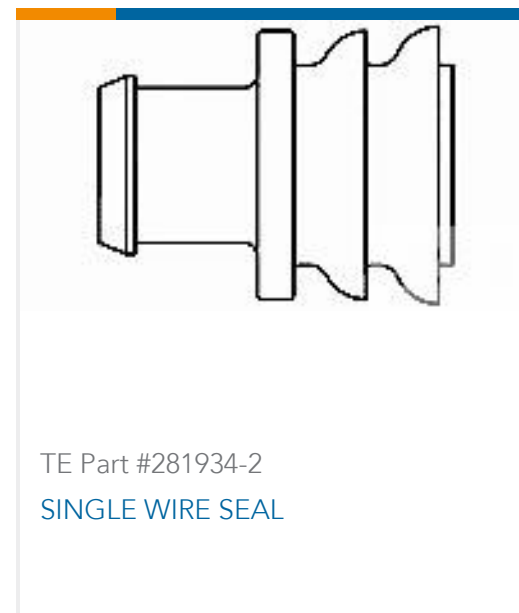
Compatible Parts



Also in the Series | DEUTSCH AS Standard



Customers Also Bought



Documents

Product Drawings

[RECEPT.CABLE COUP.TYPE 1](#)

English

Datasheets & Catalog Pages

[AS Micro Xtra Lite HE](#)

English